

HP Twin Stand HD

Stand system

The HP Twin Stand HD is a stand system which is suitable for screens with a size of 55 - 84" | 140 - 213 cm.

The included VESA mount can be equipped with a max. VESA standard of 800 x 500 mm. The screen can be mounted either in landscape or portrait format.

The height of the screen can be variably adjusted by means of locking steps with spring bolts along the columns between a minimum of 1350 mm and a maximum of 1650 mm (approx. centre of the screen).

The cables are routed inside the telescopic tubes.

Item no.: 8210

A height adjustable camera holder and a height adjustable AV shelf are included in the scope of delivery. Both can be used optionally.

The surface of the HP Twin Stand HD is finished with an impact- and scratch-resistant powder coating in black.

The max. load is 90 kg.

Please note!

The system is not suitable for touch screens.

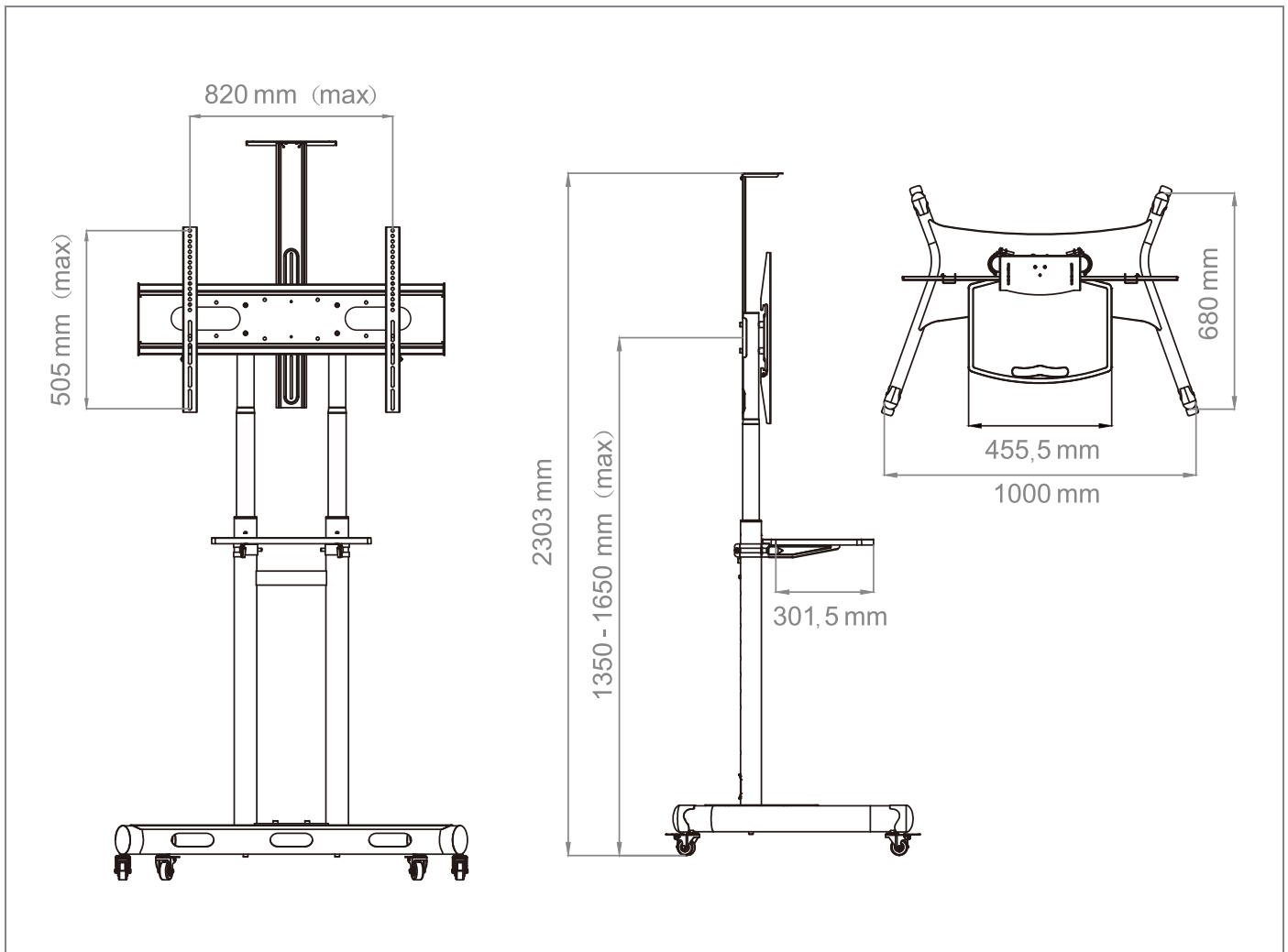


HP Twin Stand HD

Stand system

Item no.: 8210

- 55 - 84" | 140 - 213 cm
- max. VESA 800 x 500 mm
- landscape or portrait installation possible (depending on screen size)
- height adjustable, 1350 min. - 1650 mm max. (center of screen)
- height adjustable via detents (spring bolts) along the column
- floor space required: W 1000 x T 680 mm
- incl. height adjustable shelf
- incl. height adjustable camera holder
- cable management inside the telescopic tubes
- 90 kg max. load
- impact and scratch resistant powder coating
- colour: black



Technical changes reserved | Please note! The system is not suitable for touch screens.